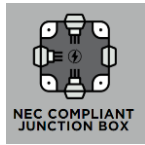
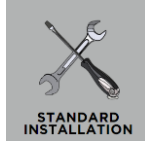


MIDRAND/MIDRAND CRYSTAL 37, 52 & 60 CHANDELIERS

SLCH786; SLCH784; SLLS785; SLCH752; SLLS753; SLCH754

General Product Information



Suggested/Required Tools



Safety Information

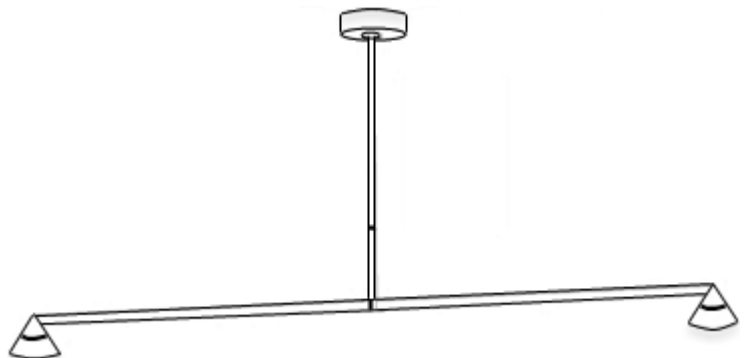
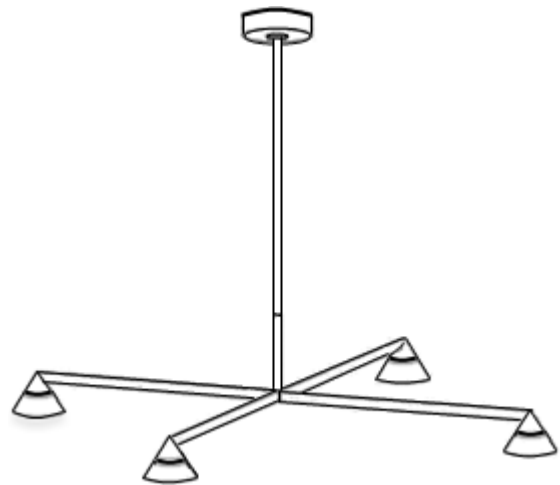
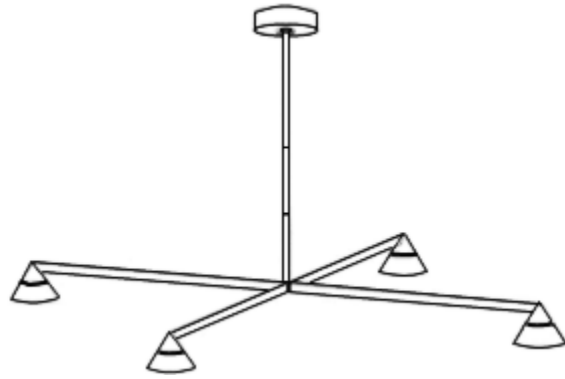
CAUTION-RISK OF FIRE

This product must be installed in accordance with the applicable installation code by a person familiar with the construction and operation of the product and the hazards involved.

USE MINIMUM 90°C SUPPLY CONDUCTORS.



Turn off electrical current at the source before working with any lighting fixture or portable lamp. Install and use this product in adherence with local electrical codes and regulations.

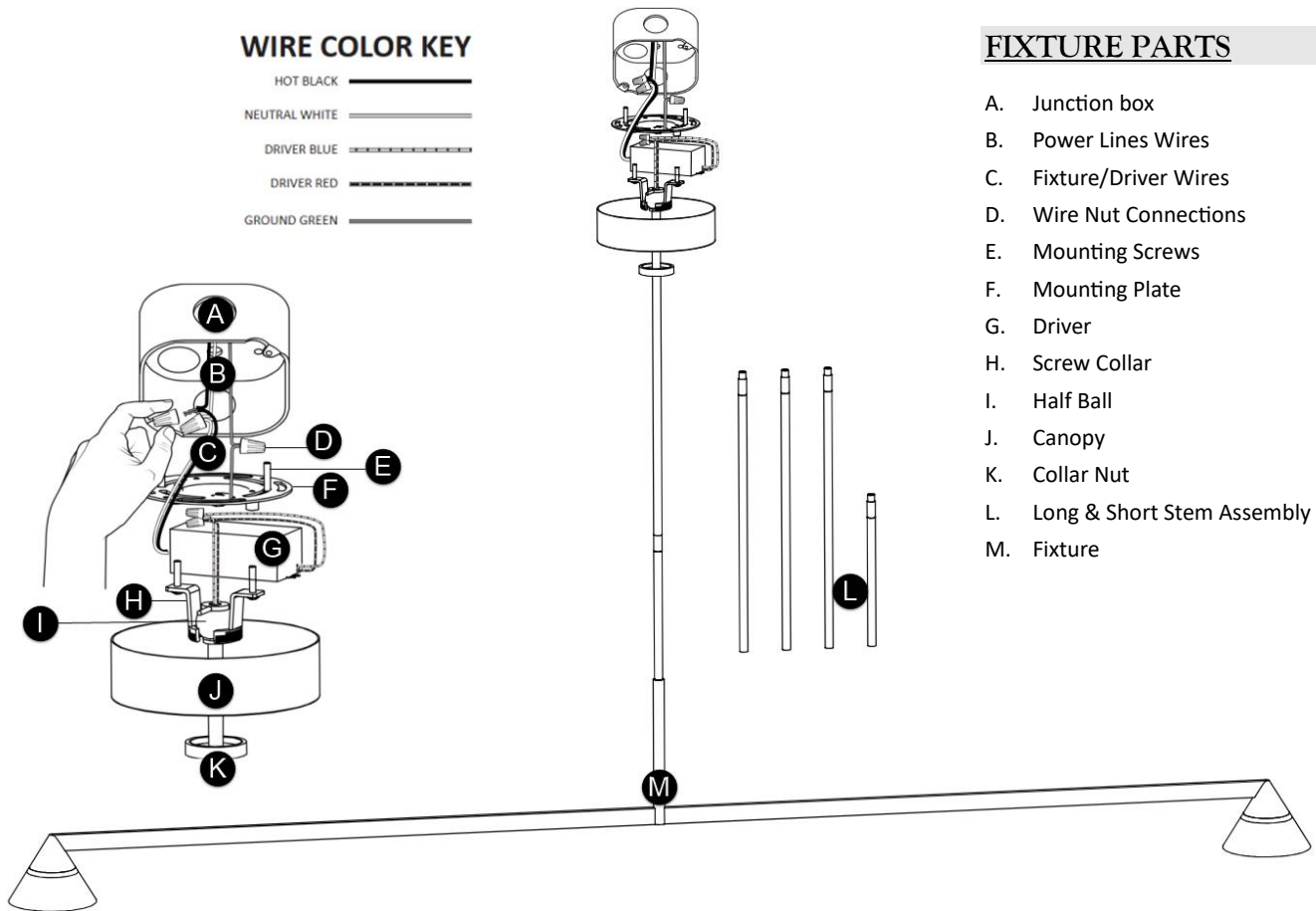


WIRE COLOR KEY

HOT BLACK	—————
NEUTRAL WHITE	—————
DRIVER BLUE	- - - - -
DRIVER RED	- - - - -
GROUND GREEN	—————

FIXTURE PARTS

- A. Junction box
- B. Power Lines Wires
- C. Fixture/Driver Wires
- D. Wire Nut Connections
- E. Mounting Screws
- F. Mounting Plate
- G. Driver
- H. Screw Collar
- I. Half Ball
- J. Canopy
- K. Collar Nut
- L. Long & Short Stem Assembly
- M. Fixture



INSTRUCTIONS

I. Preparing the Fixture

1. Unbox and inspect all items included in the fixture's packaging. For the Midrand Crystal versions, handle the crystal portions of the fixture with care to prevent damage.
2. Separate the mounting plate with screw collar from the canopy by removing the collar nut. If necessary, attach the screw collar to the bottom of the mounting plate.
3. Determine the desired height of the fixture and complete the stem assembly by screwing the stems together accordingly.
4. Feed the fixture wires through the stem assembly, collar nut, canopy, and half ball.
5. Screw the stem assembly onto the fixture and slide the collar nut and canopy carefully over the stem, then screw the half ball onto the stem assembly.

II. Wiring & Installing the Fixture

1. Safety first! Locate the circuit breaker and switch it off to cut off the power supply to the relevant circuits to ensure there's no electricity running through the wiring.
2. Secure the mounting plate with screw collar to the junction box with the provided mounting screws, ensuring the power line wires are accessible.
3. Connect the LED driver input wires to the power line wires. Twist the bare ends of the following pairs of wires together using a wire nut to secure a connection:
 - a) Neutral driver wire (white) to neutral power line wire
 - b) Hot driver wire (black) to hot power line wire
4. For 0-10V dimming capabilities, connect the purple and pink wires to a compatible dimmer. Cap off these wires if not in use.
5. Slide the half ball assembly onto the screw collar portion of the mounting plate.
6. In accordance with local electrical codes, connect the fixture ground wire (bare copper or silver wire) to suitable ground. This may be a green ground screw on the mounting plate, which the ground wire should be tightly wrapped around, or a house wire (green or bare copper wire without insulation).
7. Twist the bare ends of the following pairs of wires together using a wire nut to secure a connection:
 - a) Negative (-/blue) fixture wire to negative (-) output wire
 - b) Positive (+/red) fixture wire to positive (+) output wire
8. Carefully tuck all the wires behind the mounting plate into the junction box.
9. Place the canopy onto the mounting plate and secure it by screwing the collar nut tightly onto it to finish installation.
10. Turn the power back on at the breaker and test the fixture to ensure proper operation.